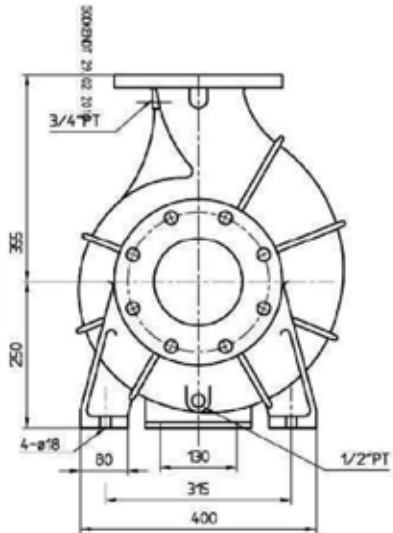
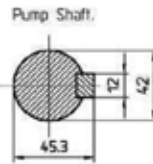
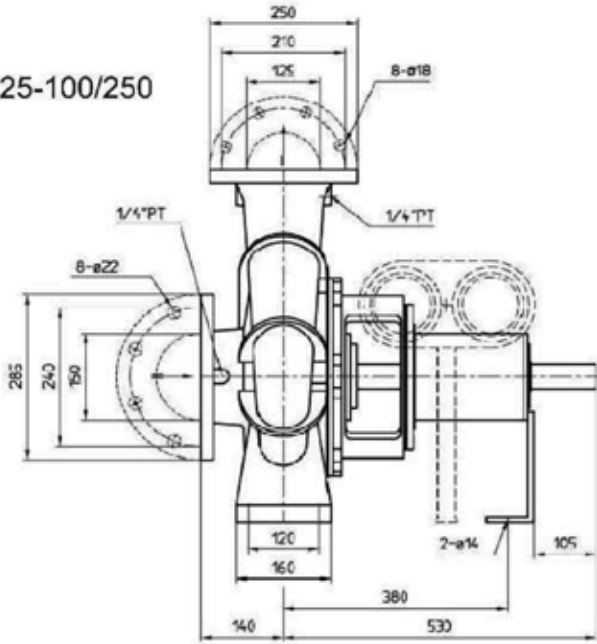


END SUCTION FIRE PUMPS

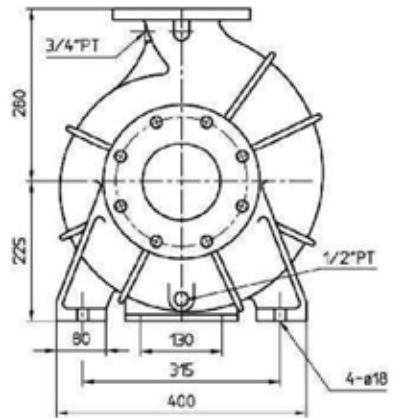
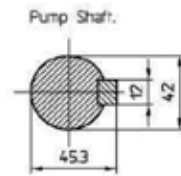
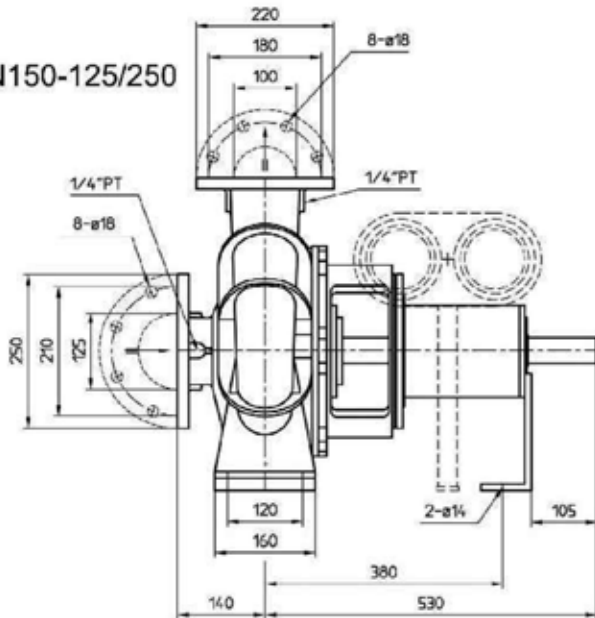


END SUCTION FIRE PUMP SECTIONAL & DIMENSIONAL DRAWINGS

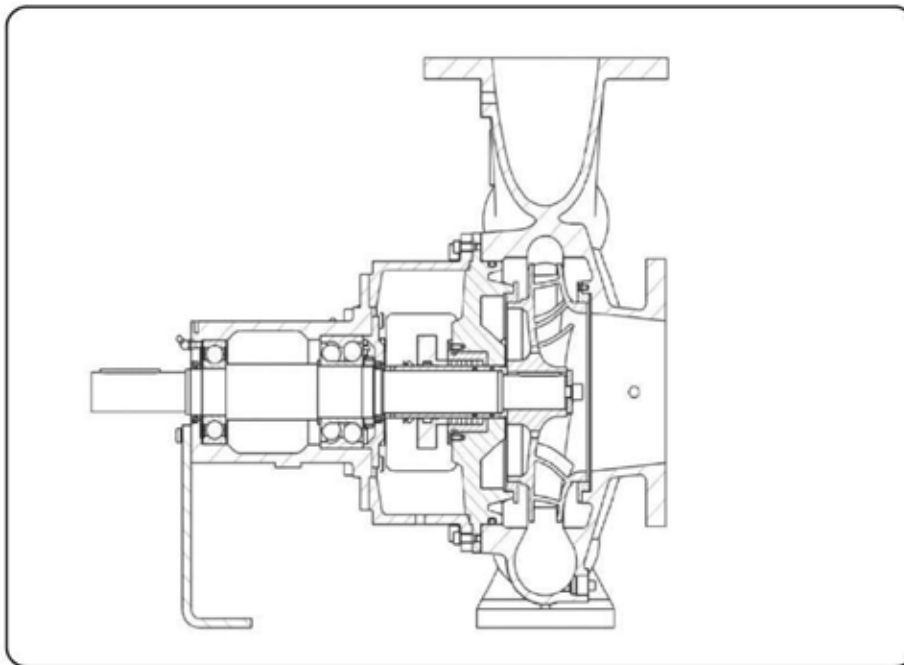
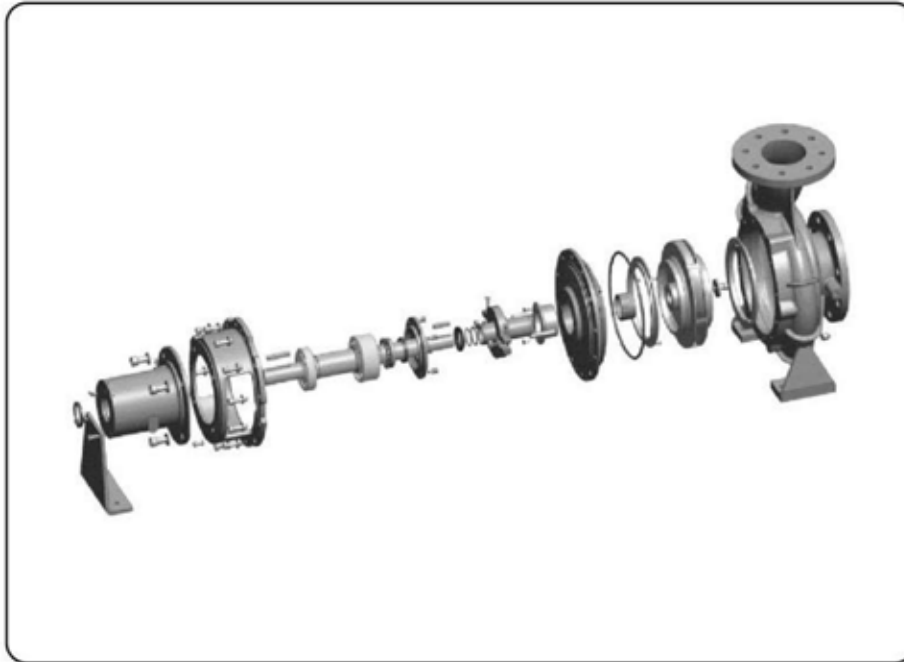
CN125-100/250



CN150-125/250

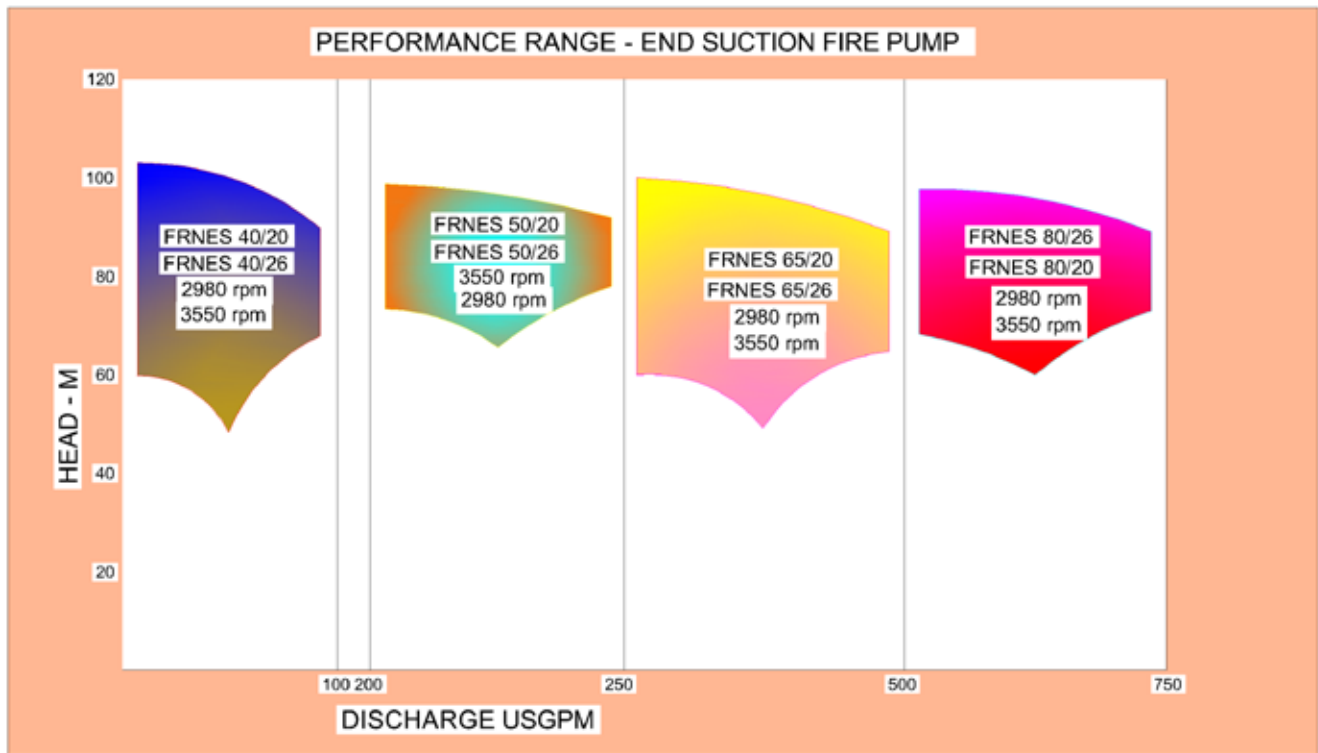


END SUCTION FIRE PUMP SECTIONAL & DIMENSIONAL DRAWINGS



END SUCTION FIRE PUMP PERFORMANCE RANGE

Performance Range of Pump-End Suction (50HZ)



UL PRODUCT CATEGORY

Centrifugal Fire Pumps, End Suction

See General Information for Centrifugal Fire Pumps, End Suction

FRONTIER SAFETY LIMITED
85 GREAT PORTLAND STREET
FIRST FLOOR
LONDON, W1W 7LT UNITED KINGDOM

EX28017

Rated Capacity GPM	Size In.	Model Dsg	Rated Net Pressure Range psi	Approx Speed RPM	Max Working Pressure psi
200	2-1/2x2	FRNES 50/26	105-140	2980	232
250	2-1/2x2	FRNES 50/26	99-136	2980	232
250	3x2-1/2	FRNES 65/26	119-147	2980	239
300	3x2-1/2	FRNES 65/26	119-147	2980	239
400	3x2-1/2	FRNES 65/26	119-141	2980	239
450	3x2-1/2	FRNES 65/26	114-138	2980	239
500	3x2-1/2	FRNES 65/26	111-135	2980	239
500	4x3	FRNES 80/26	116-138	2980	232
750	4x3	FRNES 80/26	105-132	2980	232
200	2-1/2x2	FRNES 50/20	72-99	2980	232
250	2-1/2x2	FRNES 50/20	69-99	2980	232
200	2-1/2x2	FRNES 50/20	102-142	3550	232
250	2-1/2x2	FRNES 50/20	101-141	3550	232
250	3x2-1/2	FRNES 65/20	86-107	2980	232
300	3x2-1/2	FRNES 65/20	86-107	2980	232
400	3x2-1/2	FRNES 65/20	83-104	2980	232
450	3x2-1/2	FRNES 65/20	80-102	2980	232
500	3x2-1/2	FRNES 65/20	77-99	2980	232
250	3x2-1/2	FRNES 65/20	113-152	3550	232

300	3x2-1/2	FRNES 65/20	112-152	3550	232
400	3x2-1/2	FRNES 65/20	108-150	3550	232
450	3x2-1/2	FRNES 65/20	105-148	3550	232
500	3x2-1/2	FRNES 65/20	101-145	3550	232
500	4x3	FRNES 80/20	90-100	2980	232
750	4x3	FRNES 80/20	87-98	2980	232
500	4x3	FRNES 80/20	129-142	3550	232
750	4x3	FRNES 80/20	127-142	3550	232
50	2-1/2x1-1/2	FRNES 40/20	76-111	2980	232
100	2-1/2x1-1/2	FRNES 40/20	72-109	2980	232
50	2-1/2x1-1/2	FRNES 40/20	108-157	3550	232
100	2-1/2x1-1/2	FRNES 40/20	105-157	3550	232
100	2-1/2x1-1/2	FRNES 40/26	100-138	2980	232

Last Updated on 2019-02-08

The appearance of a company's name or product in this database does not in itself assure that products so identified have been manufactured under UL's Follow-Up Service. Only those products bearing the UL Mark should be considered to be Certified and covered under UL's Follow-Up Service. Always look for the Mark on the product.

UL permits the reproduction of the material contained in the Online Certification Directory subject to the following conditions: 1. The Guide Information, Assemblies, Constructions, Designs, Systems, and/or Certifications (files) must be presented in their entirety and in a non-misleading manner, without any manipulation of the data (or drawings). 2. The statement "Reprinted from the Online Certifications Directory with permission from UL" must appear adjacent to the extracted material. In addition, the reprinted material must include a copyright notice in the following format: "© 2019 UL LLC".

UL and the UL logo are trademarks of UL LLC © 2019 All Rights Reserved.