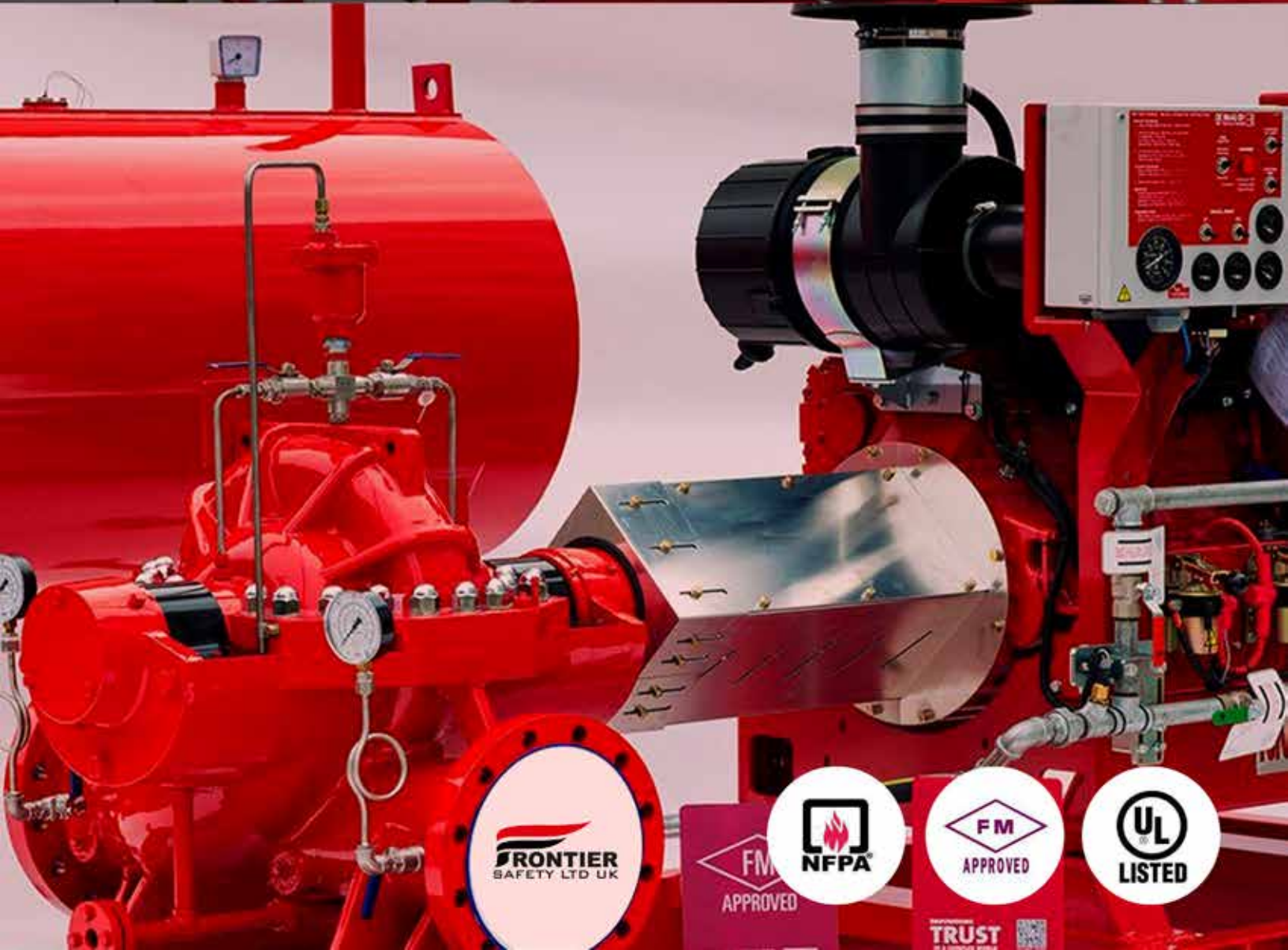
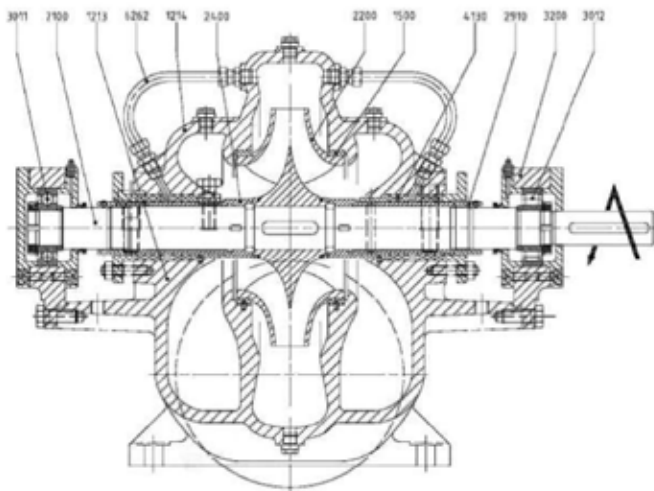
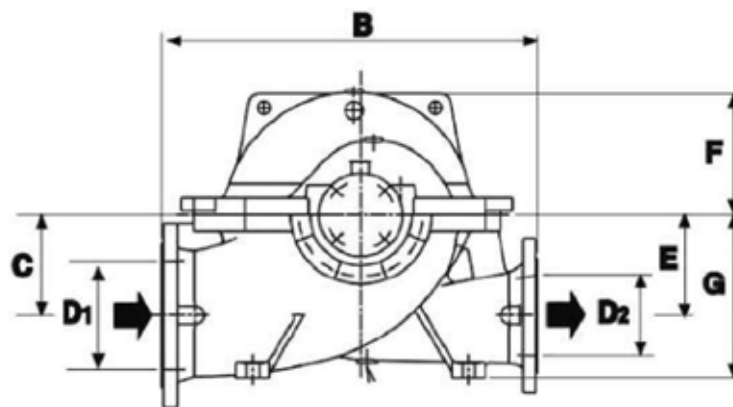
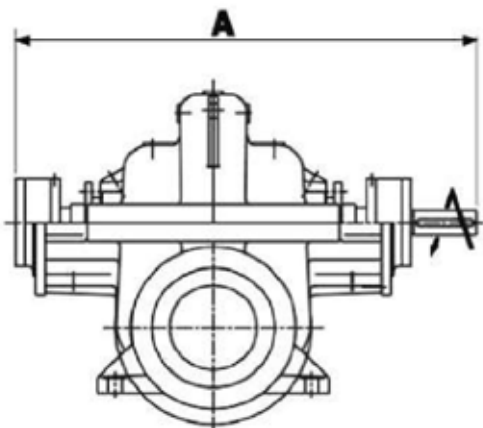


# HORIZONTAL SPLIT CASE FIRE PUMPS

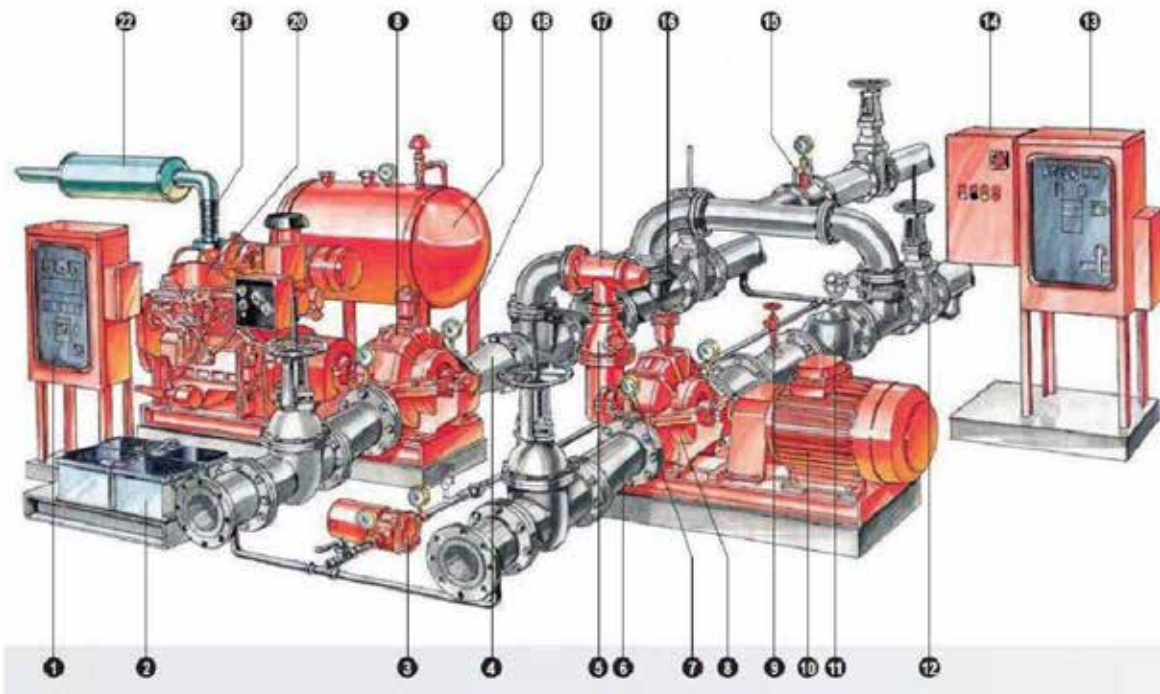


# HORIZONTAL SPLIT CASE FIRE PUMP DIMENSIONAL & SECTIONAL DRAWINGS



REF	DESCRIPTION	MATERIAL
1213	Casing half lower	Cast iron – G30
1214	Casing half upper	Cast iron – G30
1500	Casing wear ring	Bronze
2100	Shaft	Stainless steel
2200	Impeller	Bronze
2400	Sleeve	Bronze
2910	Shaft nut	Bronze
3011	Radial ball bearing	-
3012	Radial roller bearing	-
3200	Bearing housing	Cast iron – G30
4100	Staffing box	Bronze
4130	Gland packing	PTFE
4200	Mechanical seal	On request
6262	Pipe	Stainless steel

# HORIZONTAL SPLIT CASE FIRE PUMP TECHNICAL DATA SUMMARY



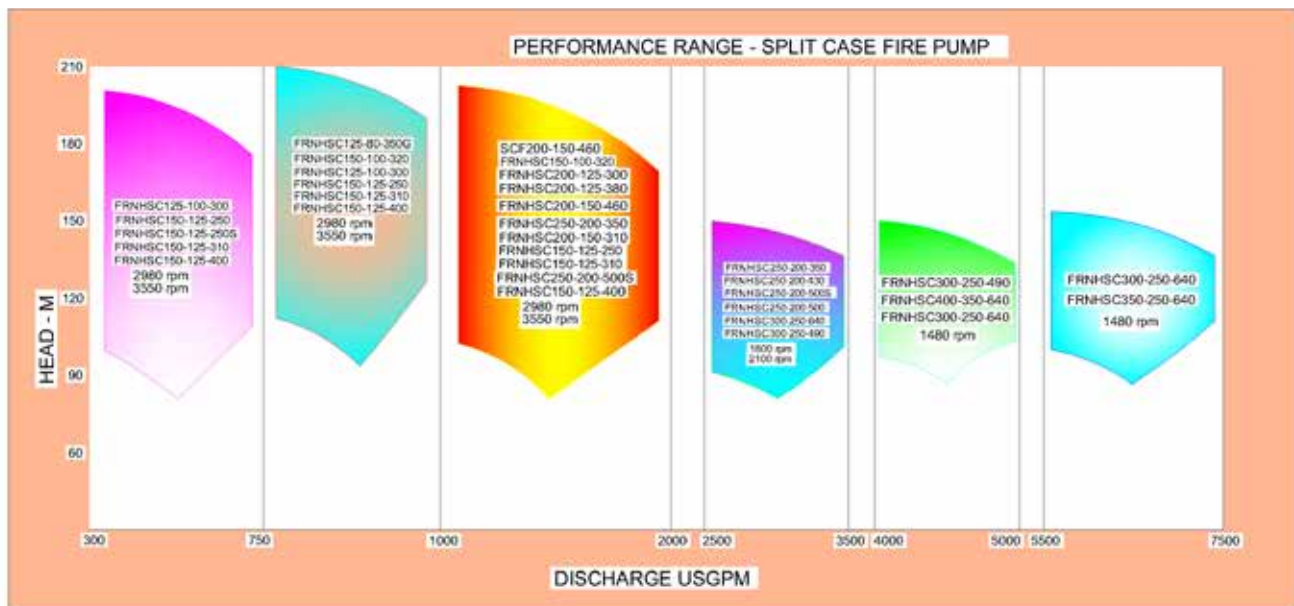
1	Diesel engine fire pump controller
2	Batteries
3	Jockey pump
4	Concentric discharge increaser
5	Enclosed discharge overflow cone
6	Eccentric suction reducer
7	Suction pressure gauge
8	Horizontal pump
9	Circulation relief valve
10	Electric motor
11	Check valve
12	OS & Y gate valve
13	Electric motor fire pump controller
14	Jockey pump controller
15	Flow meter
16	Automatic air release valve
17	Main relief valve
18	Discharge pressure gauge
19	Fuel tank
20	Diesel engine
21	Flexible exhaust connector
22	Exhaust muffler



# HORIZONTAL SPLIT CASE FIRE PUMP PERFORMANCE RANGE

Centrifugal Fire Pumps, Horizontal Split-Case Type

UL SCF SINGLE STAGE DOUBLE SUCTION FIRE PUMP PERFORMANCE RANGE (MOTOR 50HZ)



# QXJY.EX27923 - Centrifugal Fire Pumps, Split Case

## Centrifugal Fire Pumps, Split Case

**Frontier Safety Limited**  
 85 GREAT PORTLAND STREET  
 FIRST FLOOR  
 LONDON, W1W 7LT United Kingdom

EX27923

Fire pumps, single stage

Rated Capacity (gpm)	Size (in.)	Model Dsg	Rated Net Pressure Range (psi)	Approx Speed (rpm)	Max Working Pressure (psi)
300	5x3	FRNHSC125-80-200	54 - 81	2980	161
300	5x3	FRNHSC125-80-200	78 - 115	3550	200
300	5x3	FRNHSC125-80-250	55 - 87	2350	163
300	5x3	FRNHSC125-80-250	68 - 107	2600	183
300	5x3	FRNHSC125-80-250	83-136	2950	280
300	5x3	FRNHSC125-80-250	120-196	3550	280
300	5x4	FRNHSC125-100-300	98 - 124	2350	206
300	5x4	FRNHSC125-100-300	120 - 153	2600	236
300	5x4	FRNHSC125-100-300	123 - 195	2980	400
300	5x4	FRNHSC125-100-300	176-279	3550	400
400	5x3	FRNHSC125-80-200	53 - 79	2980	161
400	5x3	FRNHSC125-80-200	76 - 113	3550	200
400	5x3	FRNHSC125-80-250	51 - 84	2350	163
400	5x3	FRNHSC125-80-250	64 - 105	2600	183
400	5x3	FRNHSC125-80-250	82-135	2950	280
400	5x3	FRNHSC125-80-250	120-196	3550	280
400	5x4	FRNHSC125-100-300	94 - 119	2350	206

400	5x4	FRNHSC125-100-300	117 - 149	2600	236
400	5x4	FRNHSC125-100-300	120-189	2980	400
400	5x4	FRNHSC125-100-300	173-274	3550	400
450	5x3	FRNHSC125-80-200	52 - 78	2980	161
450	5x3	FRNHSC125-80-200	75 - 112	3550	200
450	5x3	FRNHSC125-80-250	49 - 83	2350	163
450	5x3	FRNHSC125-80-250	63 - 103	2600	183
450	5x3	FRNHSC125-80-250	80-134	2950	280
450	5x3	FRNHSC125-80-250	119-196	3550	280
450	5x4	FRNHSC125-100-300	93 - 117	2350	206
450	5x4	FRNHSC125-100-300	116 - 146	2600	236
450	5x4	FRNHSC125-100-300	119-187	2980	400
450	5x4	FRNHSC125-100-300	172-272	3550	400
500	5x3	FRNHSC125-80-200	51 - 77	2980	161
500	5x3	FRNHSC125-80-200	74 - 111	3550	200
500	5x3	FRNHSC125-80-250	47 - 80	2350	163
500	5x3	FRNHSC125-80-250	60 - 101	2600	183
500	5x3	FRNHSC125-80-250	79-133	2950	280
500	5x3	FRNHSC125-80-250	118 - 195	3550	280
500	5x3	FRNHSC125-80-350	184-295	2950	380
500	5x3	FRNHSC125-80-350	112 - 184	2350	266
500	5x3	FRNHSC125-80-350	140 - 227	2600	308
500	5x3	FRNHSC125-80-350	269 - 308	3550	388
500	5x3	FRNHSC125-80-350G	172-257	2980	261
500	5x4	FRNHSC125-100-300	90 - 114	2350	206
500	5x4	FRNHSC125-100-300	113 - 143	2600	236
500	5x4	FRNHSC125-100-300	117-184	2980	400
500	5x4	FRNHSC125-100-300	170-269	3550	400
500	6x5	FRNHSC150-125-250	76 - 101	2350	178
500	6x5	FRNHSC150-125-250	92 - 124	2600	201
500	6x5	FRNHSC150-125-250	117-162	2980	310

500	6x5	FRNHSC150-125-250	137-230	3550	310
500	6x5	FRNHSC150-125-250S	130-185	3550	290
500	6x5	FRNHSC150-125-310	111 - 128	2350	205
500	6x5	FRNHSC150-125-310	136 - 158	2600	233
500	6x5	FRNHSC150-125-310	137-207	2980	370
500	6x5	FRNHSC150-125-400	208-283	2980	370
750	5x3	FRNHSC125-80-200	68	2980	161
500	6x5	FRNHSC150-125-310	196-294	3550	370
750	5x3	FRNHSC125-80-200	66 - 103	3550	200
750	5x3	FRNHSC125-80-250	108 - 120	2950	280
750	5x3	FRNHSC125-80-250	105-185	3550	280
750	5x3	FRNHSC125-80-350	131 - 172	2350	266
750	5x3	FRNHSC125-80-350	145 - 217	2600	308
750	5x3	FRNHSC125-80-350	167-286	2950	380
750	5x3	FRNHSC125-80-350	254 - 292	3550	388
750	5x4	FRNHSC125-100-300	104-163	2980	400
750	5x4	FRNHSC125-100-300	157-247	3550	400
750	5x3	FRNHSC125-80-350G	169-251	2980	261
750	6x5	FRNHSC150-125-250	71 - 97	2350	178
750	6x5	FRNHSC150-125-250	89 - 121	2600	201
750	6x5	FRNHSC150-125-250	114-160	2980	310
750	6x5	FRNHSC150-125-250	138-230	3550	310
750	6x5	FRNHSC150-125-310	105 - 123	2350	205
750	6x5	FRNHSC150-125-310	130 - 153	2600	233
750	6x5	FRNHSC150-125-310	132-203	2980	370
750	6x5	FRNHSC150-125-310	191-291	3550	370
750	6x4	FRNHSC150-100-320	138-198	2980	202
750	6x5	FRNHSC150-125-400	203-277	2980	370
750	8x6	FRNHSC200-150-330	40 - 77	1760	310
750	8x6	FRNHSC200-150-420	272-367	2950	460
1000	5x3	FRNHSC125-80-350	220-270	2950	380

1000	6x4	FRNHSC150-100-320	130-191	2980	202
1000	6x5	FRNHSC150-125-250	103-151	2980	310
1000	6x5	FRNHSC150-125-250	130-225	3550	310
1000	6x5	FRNHSC150-125-310	121-192	2980	370
1000	6x5	FRNHSC150-125-310	182-283	3550	370
1000	6x5	FRNHSC150-125-400	192-265	2980	370
1000	8x6	FRNHSC200-150-310	58 - 147	2350	229
1000	8x6	FRNHSC200-150-310	73 - 181	2600	263
1000	8x6	FRNHSC200-150-310	119-237	2980	350
1000	8x6	FRNHSC200-150-310	175-286	3550	370
1000	8x6	FRNHSC200-150-330	40-74	1760	310
1000	8x6	FRNHSC200-150-420	260-359	2950	460
1250	8x5	FRNHSC200-125-300	116-190	2980	187
1250	8x5	FRNHSC200-125-380	118-177	2200	261
1250	8x6	FRNHSC200-150-250	83-149	2950	330
1250	8x6	FRNHSC200-150-250	133-225	3550	330
1250	8x6	FRNHSC200-150-310	76 - 141	2350	229
1250	8x6	FRNHSC200-150-310	96 - 177	2600	263
1250	8x6	FRNHSC200-150-310	112-230	2980	350
1250	8x6	FRNHSC200-150-310	168-281	3550	370
1250	8x6	FRNHSC200-150-330	76 - 135	2350	229
1250	8x6	FRNHSC200-150-330	95 - 167	2600	263
1250	8x6	FRNHSC200-150-400	85 - 126	1760	270
1250	8x6	FRNHSC200-150-420	241-346	2950	460
1500	8x6	FRNHSC200-150-250	122-216	3550	330
1500	8x6	FRNHSC200-150-310	109-221	2980	350
1500	8x6	FRNHSC200-150-310	158-269	3550	370
1500	8x6	FRNHSC200-150-330	71 - 131	2350	229
1500	8x6	FRNHSC200-150-330	90 - 163	2600	263
1500	8x6	FRNHSC200-150-400	82 - 124	1760	270
1500	8x6	FRNHSC200-150-400	121-181	2100	275



1500	8x6	FRNHSC200-150-460	115-181	1800	275
1500	8x6	FRNHSC200-150-480	120-171	1760	275
1500	8x6	FRNHSC200-150-640	124-220	1480	300
2000	8x6	FRNHSC200-150-330	107-190	2950	310
2000	8x6	FRNHSC200-150-400	94 - 115	1760	270
2000	8x6	FRNHSC200-150-400	111-174	2100	275
2000	8x6	FRNHSC200-150-460	118-175	1800	275
2000	8x6	FRNHSC200-150-480	109-165	1760	275
2000	8x6	FRNHSC200-150-640	117-216	1480	300
2000	10x8	FRNHSC250-200-350	123-239	2980	362
2000	10x8	FRNHSC250-200-500S	118-186	1800	320
2000	10x8	FRNHSC250-200-500S	149-234	2000	320
2500	8x6	FRNHSC200-150-400	160	2100	275
2500	8x6	FRNHSC200-150-480	96-155	1760	275
2500	8x6	FRNHSC200-150-640	107-206	1480	300
2500	10x8	FRNHSC250-200-350	114-227	2980	362
2500	10x8	FRNHSC250-200-430	138	1800	275
2500	10x8	FRNHSC250-200-430	125-190	2100	275
2500	10x8	FRNHSC250-200-450	124-155	1760	333
2500	10x8	FRNHSC250-200-450	165-203	2000	333
2500	10x8	FRNHSC250-200-500S	110-176	1800	320
2500	10x8	FRNHSC250-200-500S	141-225	2000	320
3000	8x6	FRNHSC200-150-640	162-194	1480	300
3000	10x8	FRNHSC250-200-430	144-187	2100	275
3000	10x8	FRNHSC250-200-450	115-147	1760	333
3000	10x8	FRNHSC250-200-450	158-197	2000	333
3000	10x8	FRNHSC250-200-500	121-179	1760	340
3000	10x8	FRNHSC250-200-500	162-238	2000	340
3000	10x8	FRNHSC250-200-600	114-188	1480	275
3000	10x8	FRNHSC250-200-600	166-246	1760	330
3000	12x10	FRNHSC300-250-500	120-154	1480	330

3000	12x10	FRNHSC300-250-640	176-249	1480	330
3500	10x8	FRNHSC250-200-500	136-170	1760	340
3500	10x8	FRNHSC250-200-500	154-229	2000	340
3500	10x8	FRNHSC250-200-600	107-184	1480	275
3500	10x8	FRNHSC250-200-600	160-241	1760	330
3500	12x10	FRNHSC300-250-490	119-189	1800	290
3500	12x10	FRNHSC300-250-500	117-152	1480	330
3500	12x10	FRNHSC300-250-640	169-242	1480	330
4000	10x8	FRNHSC250-200-600	142-176	1480	275
4000	10x8	FRNHSC250-200-600	152-234	1760	330
4000	12x10	FRNHSC300-250-490	114-185	1800	290
4000	12x10	FRNHSC300-250-500	114-148	1480	330
4000	12x10	FRNHSC300-250-500	125-225	1800	330
4000	14x10	FRNHSC300-250-640	138-217	1480	300
4000	12x10	FRNHSC300-250-640	162-233	1480	330
4500	10x8	FRNHSC250-200-600	175-226	1760	330
4500	12x10	FRNHSC300-250-490	153-181	1800	290
4500	12x10	FRNHSC300-250-500	109-145	1480	330
4500	12x10	FRNHSC300-250-500	121-222	1800	330
4500	14x10	FRNHSC300-250-640	136-216	1480	300
4500	14x10	FRNHSC350-250-640	136-216	1480	300
4500	16x14	FRNHSC400-350-640	129-196	1480	315
5000	12x10	FRNHSC300-250-500	134-218	1800	330
5000	14x10	FRNHSC300-250-640	134-214	1480	300
5000	14x10	FRNHSC350-250-640	134-214	1480	300
5000	16x14	FRNHSC400-350-640	127-194	1480	315
5500	16x12	FRNHSC400-300-750	205-278	1480	370
5500	16x14	FRNHSC400-350-640	124-192	1480	315
6000	14x10	FRNHSC300-250-640	127-209	1480	300
6000	14x10	FRNHSC350-250-640	127-209	1480	300
6000	14x10	FRNHSC350-250-640	220-280	1760	370

6000	16x12	FRNHSC400-300-750	204-277	1480	370
6000	16x14	FRNHSC400-350-640	120-190	1480	315
6500	14x10	FRNHSC350-250-640	205	1480	300
6500	14x10	FRNHSC350-250-640	216-276	1760	370
6500	16x12	FRNHSC400-300-750	203-276	1480	370
6500	16x14	FRNHSC400-350-640	116-186	1480	315
7000	14x10	FRNHSC350-250-640	201	1480	300
7000	14x10	FRNHSC350-250-640	211-271	1760	370
7000	16x12	FRNHSC400-300-750	200-274	1480	370
7000	16x14	FRNHSC400-350-640	113-182	1480	315
7500	14x10	FRNHSC350-250-640	195	1480	300
7500	14x10	FRNHSC350-250-640	205-267	1760	370
7500	16x12	FRNHSC400-300-750	197-272	1480	370
7500	16x14	FRNHSC400-350-640	109-179	1480	315
8000	14x10	FRNHSC350-250-640	239-261	1760	370
8000	16x12	FRNHSC400-300-750	223-269	1480	370
8000	16x14	FRNHSC400-350-640	117-192	1540	315

**Fire pumps, multistage**

<b>Rated Capacity (gpm)</b>	<b>Size (in.)</b>	<b>Model Dsg</b>	<b>No. of Stages</b>	<b>Rated Net Pressure Range (psi)</b>	<b>Approx Speed (rpm)</b>	<b>Max Working Pressure (psi)</b>
500	5x4	FRNHSC125-100-330X2	2	323-405	2950	510
500	5x4	FRNHSC125-100-330X2	2	350-483	3550	580
500	5x4	FRNHSC125-100-330X2	2	350 - 616	3550	708
750	5x4	FRNHSC125-100-330X2	2	280-368	2950	510
750	5x4	FRNHSC125-100-330X2	2	312-446	3550	580
750	5x4		2	312 - 574	3550	708

		FRNHSC125-100-330X2				
750	8x6	FRNHSC200-150-450X2	2	263-361	1800	450
1000	8x6	FRNHSC200-150-450X2	2	253-354	1800	450
1250	8x6	FRNHSC200-150-450X2	2	236-342	1800	450
1500	8x6	FRNHSC200-150-450X2	2	324	1800	450

Trademark and/or Tradename: 

Last Updated on 2021-11-11

The appearance of a company's name or product in this database does not in itself assure that products so identified have been manufactured under UL's Follow-Up Service. Only those products bearing the UL Mark should be considered to be Certified and covered under UL's Follow-Up Service. Always look for the Mark on the product.

UL permits the reproduction of the material contained in the Online Certification Directory subject to the following conditions:  
 1. The Guide Information, Assemblies, Constructions, Designs, Systems, and/or Certifications (files) must be presented in their entirety and in a non-misleading manner, without any manipulation of the data (or drawings). 2. The statement "Reprinted from the Online Certifications Directory with permission from UL" must appear adjacent to the extracted material. In addition, the reprinted material must include a copyright notice in the following format: "© 2021 UL LLC"