



MONASH PUMPS (ASIA)

MPSC SERIES

Split Case Double Suction Pumps





Double Suction Single Stage Split Casing Pump Horizontal / Vertical

Pump casing is axially split allowing quick and easy for maintenance by removing the top half of the casing. Easy access to the impeller, shaft & Mechanical seal without removing of pipe work and electric motor.

Design Features

- Renewable of casing wear rings fitted as standard.
- Renewable of Impeller neck ring-optional
- Meet Fire Pump standard-NFPA 20 and Australian Fire Pump Standard AS2941
- Multi-choice of construction materials available or to your specific requirements
- Shaft Seal, Pack Gland, Mechanical Seal or Cartridge Seal
- Mechanical Seal Flushing to API Plan 11 as standard, other API Plan available on request
- Heavy duty, grease-lubricated bearing fitted as standard, oil lubrication available on request
- Temperature sensors for bearing-RTD-Pt100 available on request

General Applications

- Cooling Tower
- Fire Fighting
- Irrigation
- Pumping Station (Booster System)
- Mine Dewatering
- Food Industrials

Materials of Construction

| Materials of Construction | | |
|---------------------------|-----------------------------|-----------|
| Pump Parts | Materials | Din Std |
| Pump Casing | Cast Iron (Std) | GG 25 |
| | Ductile Iron | GGG40 |
| | Stainless Steel SS304 | 1.4301 |
| | Stainless Steel SS316 | 1.4401 |
| | Stainless Steel SS316L | 1.4404 |
| | SS Duplex | 1.4410 |
| Impeller | Cast Iron (Std) | GG 25 |
| | Bronze | G-CuSn10 |
| | Ductile Iron | GGG40 |
| | Stainless Steel SS304 | 1.4301 |
| | Stainless Steel SS316 | 1.4401 |
| | SS Duplex | 1.4410 |
| Shaft | Stainless Steel SS420 (Std) | 1.4021 |
| | Stainless Steel SS316 | 1.4401 |
| | High Tensile Alloy Steel | ANSI 4140 |
| Non Wetted Parts | Cast Iron (Std) | GG 25 |
| | Ductile Iron | GGG40 |
| | Stainless Steel SS304 | 1.4301 |
| | Stainless Steel SS316 | 1.4401 |
| | Stainless Steel SS316L | 1.4404 |
| | SS Duplex | 1.4410 |

Double Suction Single Stage Split Casing Pump Horizontal Mounting Type

Operating Parameters

| | |
|----------------------------------|----------------------------------|
| Pipe Size Range | : Inlet-DN 125 to DN 1000 |
| | : Outlet-DN 80 to DN 900 |
| Max Flow | : 18,000 m³/h |
| Max Head | : 220m |
| Max Operating Pressure | : 30 Bar |
| Max Operating Temperature | : +105 °C |

1. Your technical advantage

Innovative casing

- in-line design
- short distance between bearings and correspondingly short shaft
- leak-tight due to compact joint flange with long, prestressed bolts
- counter-rotation possible with similar parts
- double volute version for appropriate total heads
- easy mounting-self-aligning upper casing

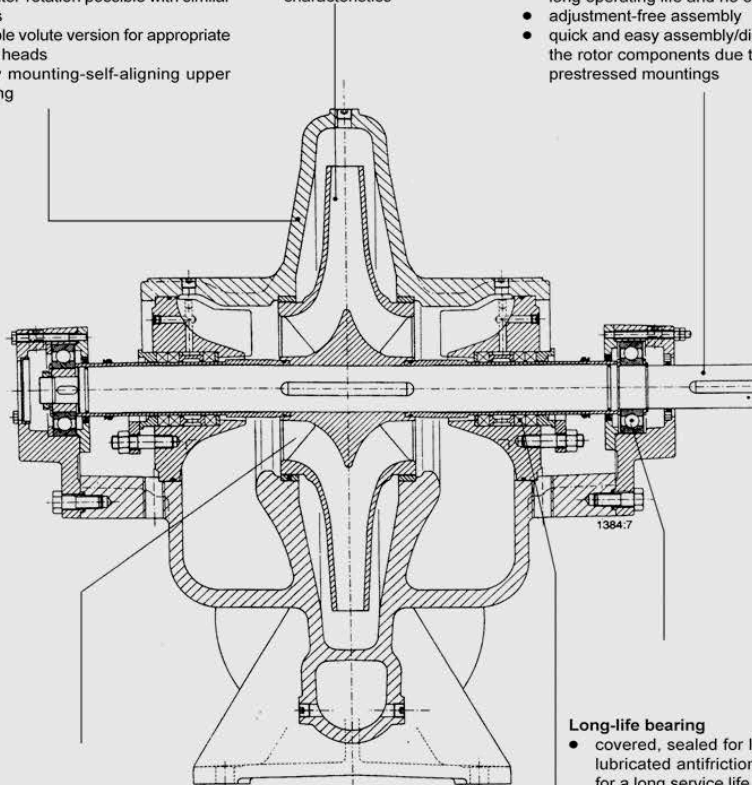
High-performance impeller

- minimal axial thrust due to double-entry impeller
- optional impeller wear rings
- new vane passage with excellent hydraulic characteristics

2. Your service advantage

Service – friendly shaft

- completely sealed and dry for zero corrosion
- short and rigid with negligible vibrations
- replaceable shaft protecting sleeves
- no threads exposed to pumped medium, long operating life and no corrosion
- adjustment-free assembly
- quick and easy assembly/dismantling of the rotor components due to elastically prestressed mountings



Excellent efficiencies

Outstanding NPSH

- computer-optimized double entry impellers
- smooth surfaces inside the casing and on the impeller
- smooth, quiet running also guaranteed by a large impeller eye area
- no drop in efficiency due to cost effective replaceable casing wear rings and impeller wear rings
- smooth, low loss running due to a swirl-free inlet

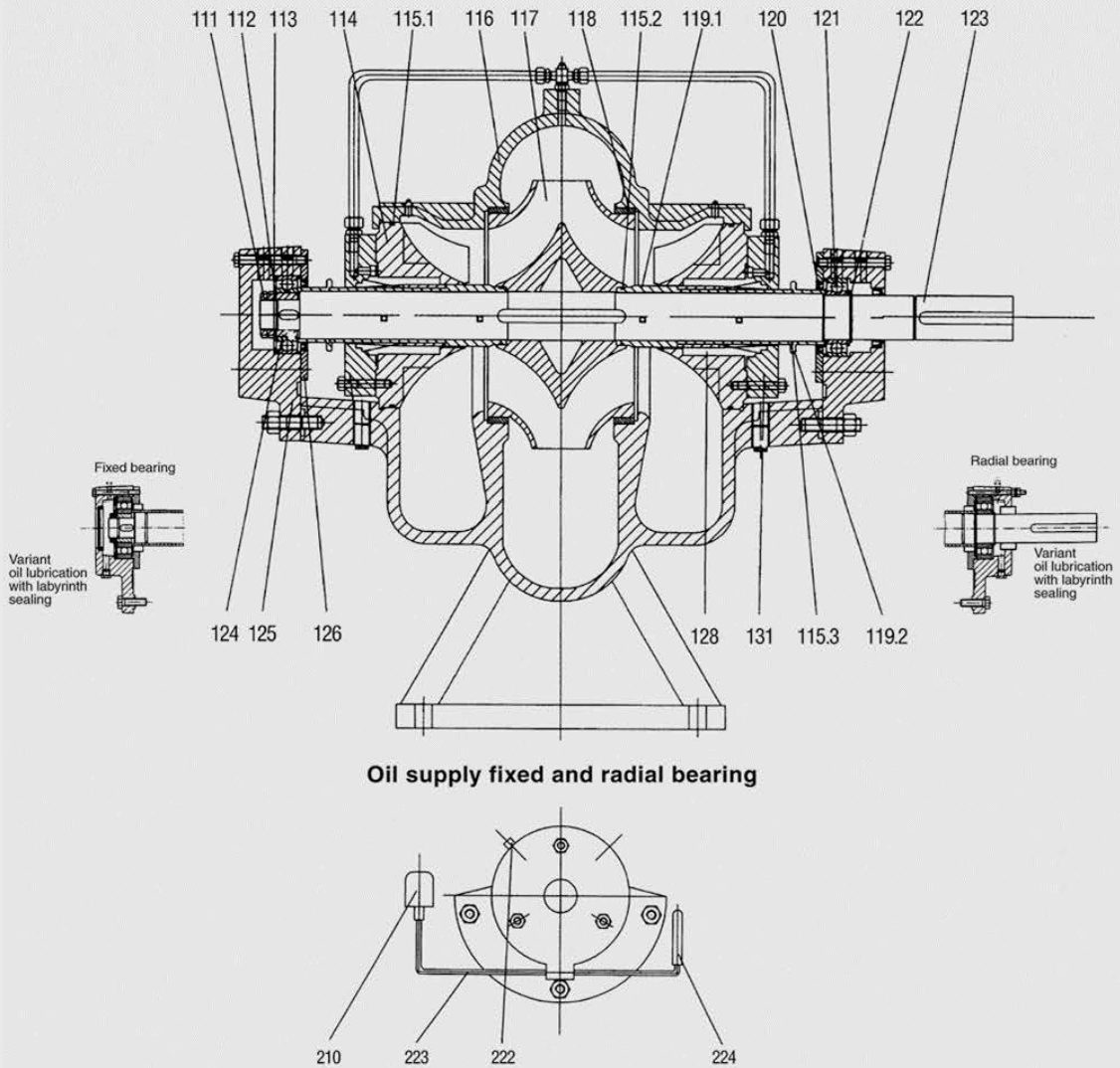
Long-life bearing

- covered, sealed for life grease lubricated antifriction bearings for a long service life
- open gland, i.e. enough space for service activities
- optional: oil lubrication with constant level oiler

Application-orientated seals

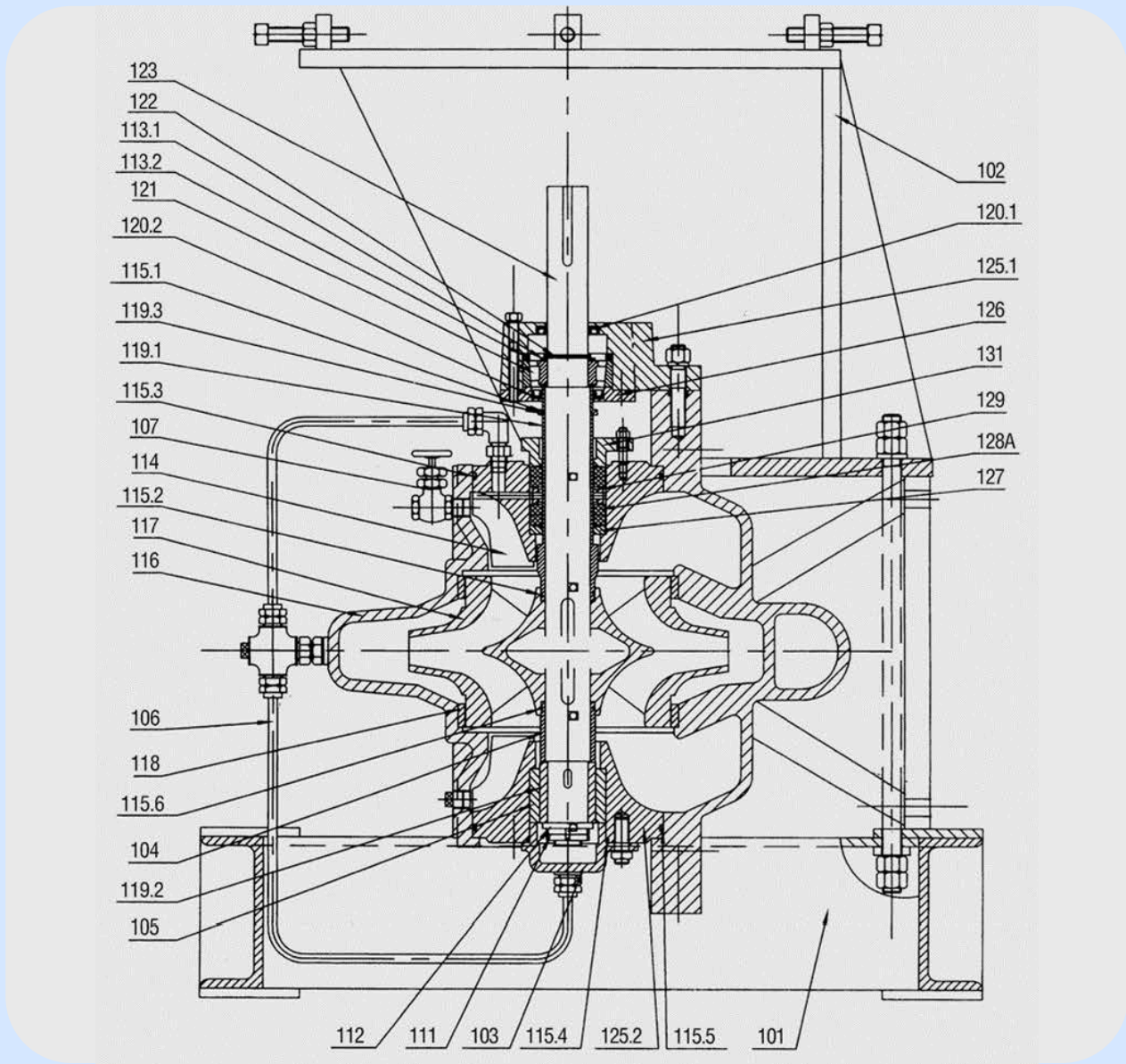
- asbestos-free, potable water quality soft-packed stuffing boxes
- optional: mechanical seals

Double Suction Single Stage Split Casing Pump Horizontal



| Part No. | Description | Part No. | Description | Part No. | Description |
|----------|--------------------|----------|--------------------------|----------|-----------------|
| 111 | Nut | 117 | Impeller | 123 | Pump shaft |
| 112 | Spring | 118 | Casing wear ring | 124 | Sleeve |
| 113 | Washer | 119 | Shaft protecting sleeve | 125 | Bearing housing |
| 114 | Shaft seal housing | 120 | Radial shaft seal ring | 126 | Bearing cover |
| 115 | O-Ring | 121 | Deep groove ball bearing | 128 | Seal |
| 116 | Volute casing | 122 | Circlip | 131 | Cover |

**Double Suction Single Stage Split Casing Pump
Vertical Mounting Type**

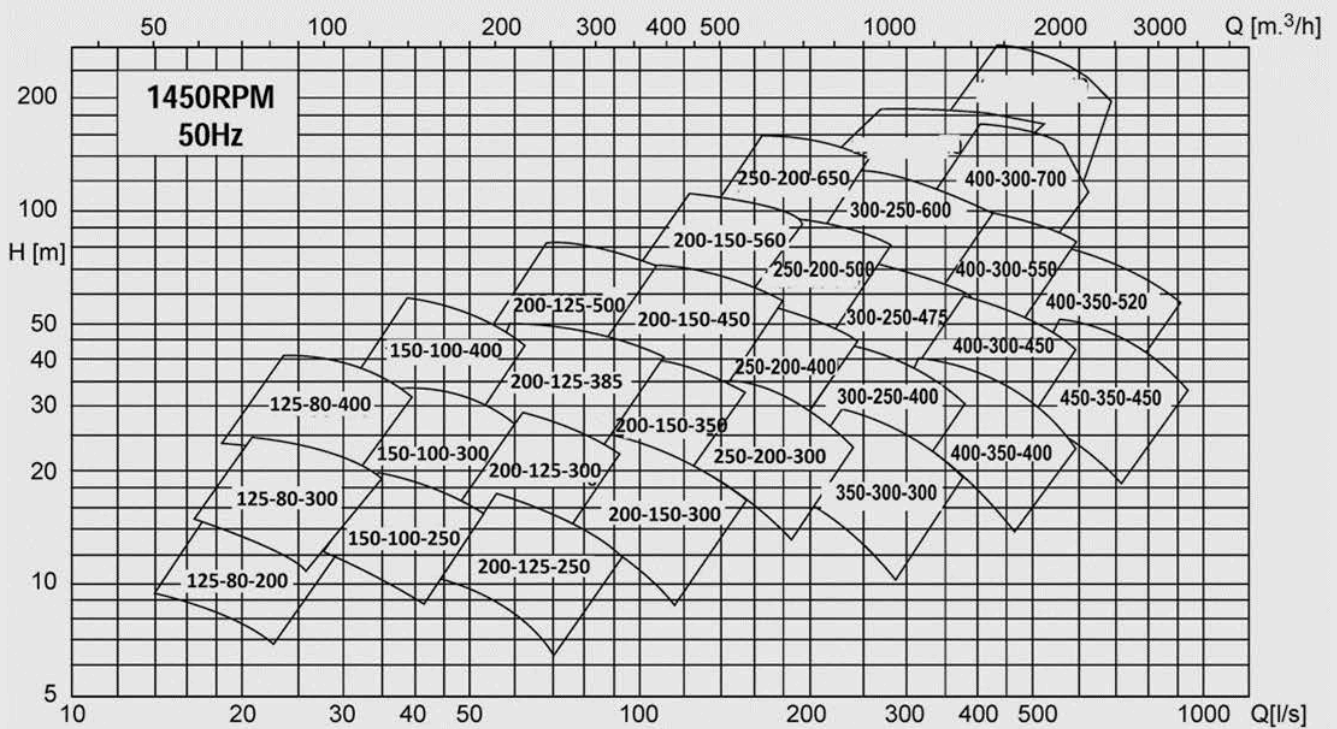
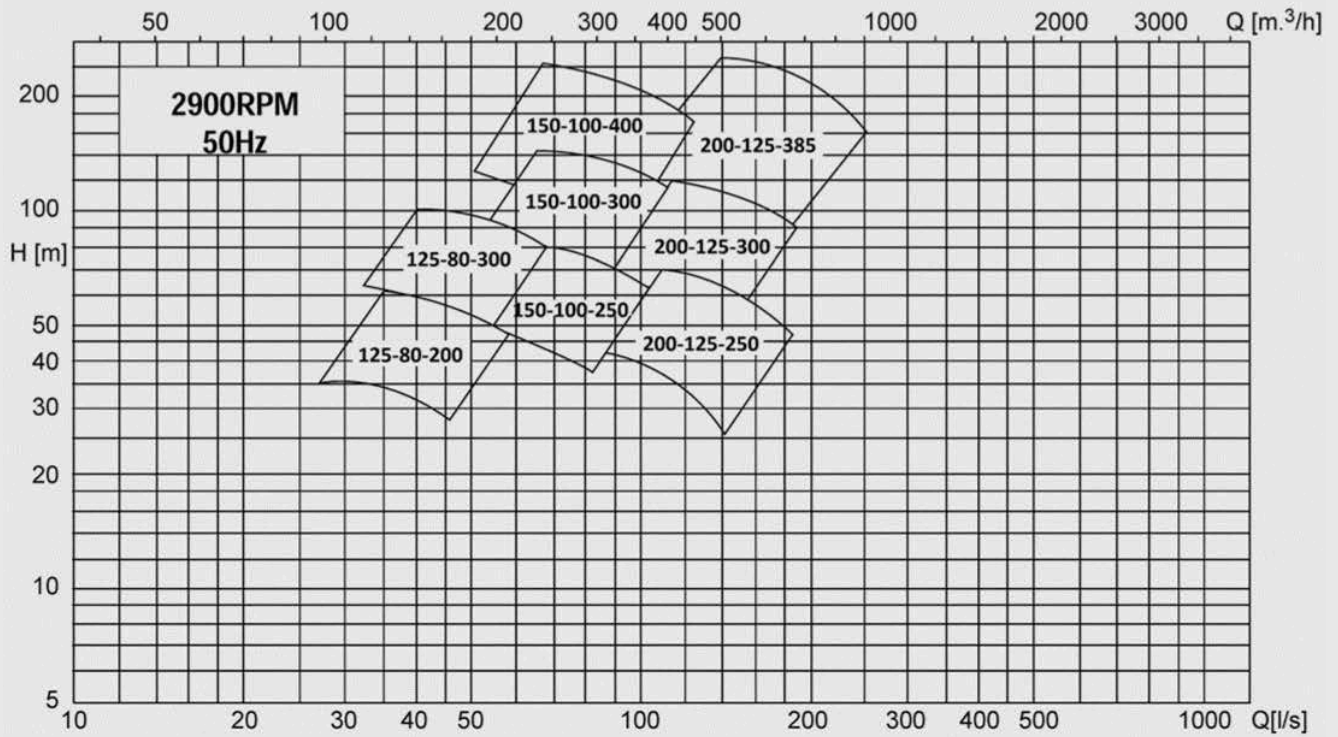


| Part No. | Description | Part No. | Description | Part No. | Description |
|----------|-----------------|----------|------------------------|----------|-------------------------|
| 116 | Volute casing | 112 | Spring | 118 | Casing wear ring |
| 103 | Cover | 115 | O-Ring | 119 | Shaft protecting sleeve |
| 101 | Foot | 120 | Radial shaft seal ring | 104 | Spacer sleeve |
| 123 | Pump shaft | 114 | Shaft seal housing | 105 | Bearing bush |
| 117 | Impeller | 107 | Valve | 113 | Washer |
| 121 | Bearing | 128A | Gland Packing | 106 | Flexible tube |
| 102 | Motor stool | 131 | Stuffing box insert | 111 | Nut |
| 125 | Bearing housing | 127 | Neck ring | 122 | Circlip |
| 126 | Bearing cover | 129 | Lantern ring | | |

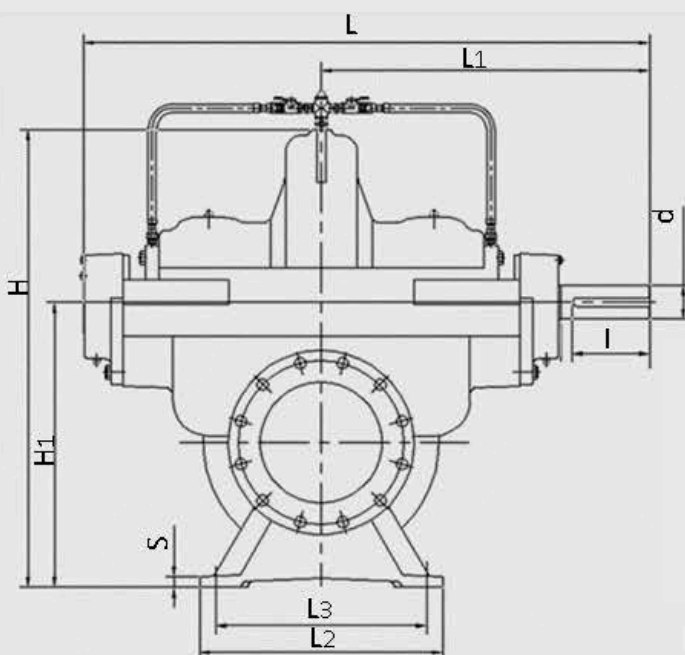
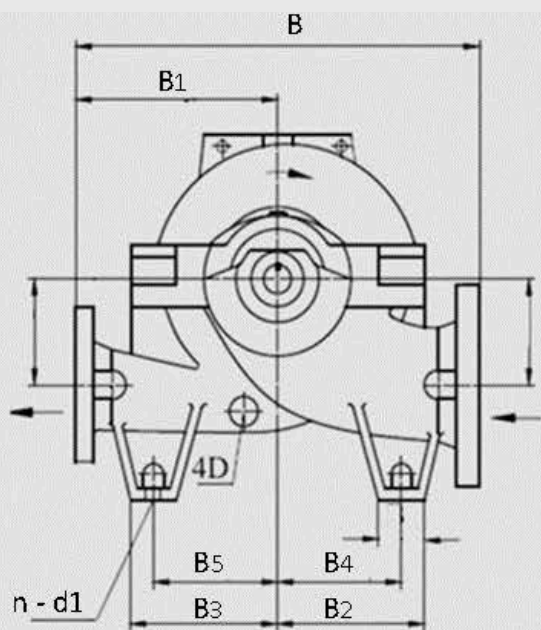


Double Suction Single Stage Split Casing Pump Horizontal / Vertical

Curve Selection



Double Suction Single Stage Split Casing Pump Horizontal / Vertical




| Pump | Range | | Pump Dimensions | | | | | | | | | | | | | | | | Shaft | | Wt-Kgs | |
|--------------|-------|--------|-----------------|-----|------|-----|------|-----|------|-----|-----|-----|-----|-----|-----|-----|-----|----|-------|-----|--------|------|
| SIZE | Inlet | Outlet | L | L1 | B | B1 | H | H1 | H2 | H3 | L2 | L3 | B2 | B3 | B4 | B5 | B6 | S | n-d1 | I | d | pump |
| 125-80-200 | | | | | 600 | 300 | 483 | | | | | | | | | | | | | | | 185 |
| 125-80-300 | 125 | 80 | 715 | 415 | 600 | 300 | 505 | 315 | 140 | 140 | 320 | 270 | 205 | 205 | 170 | 170 | 70 | 25 | 4xφ19 | 80 | 35 | 195 |
| 125-80-350 | | | | | 660 | 330 | 540 | | | | | | | | | | | | | | | 205 |
| 150-100-250 | | | | | 660 | 330 | 550 | | | | | | | | | | | | | | | 210 |
| 150-100-300 | 150 | 100 | 715 | 415 | 660 | 330 | 580 | 355 | 170 | 170 | 320 | 270 | 235 | 235 | 200 | 200 | 70 | 25 | 4xφ19 | 80 | 35 | 225 |
| 150-100-400 | | | | | 740 | 370 | 615 | | | | | | | | | | | | | | | 245 |
| 200-125-300 | | | | | 740 | 370 | 630 | | | | | | | | | | | | | | | 275 |
| 200-125-385 | 200 | 125 | 881 | 515 | 740 | 370 | 660 | 400 | 200 | 200 | 390 | 340 | 260 | 260 | 225 | 225 | 70 | 25 | 4xφ23 | 100 | 45 | 300 |
| 200-125-480 | | | | | 900 | 450 | 705 | | | | | | 315 | 315 | 280 | 280 | | | | | | 335 |
| 200-150-300 | | | | | 800 | 400 | 645 | | | | | | 260 | 260 | 225 | 225 | 70 | 25 | 4xφ23 | 100 | 45 | 350 |
| 200-150-350 | 200 | 150 | 881 | 515 | 800 | 400 | 665 | 400 | 200 | 200 | 390 | 340 | 260 | 260 | 225 | 225 | 70 | 25 | 4xφ23 | 100 | 45 | 360 |
| 200-150-450 | | | | | 900 | 450 | 705 | | | | | | 315 | 315 | 280 | 280 | 70 | 25 | 4xφ23 | 125 | 55 | 440 |
| 200-150-560 | | | 989 | 590 | 1100 | 500 | 870 | 500 | 300 | 300 | 480 | 430 | 385 | 385 | 350 | 350 | | | 4xφ27 | | | 650 |
| 250-200-350 | | | | | 900 | 450 | 785 | | | | | | 315 | 315 | 280 | 280 | 70 | 25 | 4xφ23 | 125 | 55 | 450 |
| 250-200-400 | 250 | 200 | 989 | 590 | 1000 | 500 | 810 | 500 | 240 | 240 | 480 | 430 | 385 | 385 | 350 | 350 | | | 4xφ23 | 125 | 55 | 520 |
| 250-200-550 | | | | | 1100 | 500 | 930 | 560 | 300 | 300 | | | 385 | 385 | 350 | 350 | | | 4xφ27 | 140 | 65 | 840 |
| 250-200-650 | | | 1119 | 655 | 1200 | 550 | 1030 | 600 | 350 | 350 | | | 400 | 400 | 400 | 350 | 100 | 32 | 4xφ27 | 140 | 65 | 990 |
| 300-250-400 | | | | | 1100 | 500 | 920 | 600 | | | 480 | 400 | | | | | | | 4xφ27 | 140 | 65 | 665 |
| 300-250-475 | 300 | 250 | 1245 | 730 | 1100 | 550 | 955 | 600 | 300 | 300 | 600 | 520 | 400 | 400 | 350 | 350 | 100 | 32 | 4xφ34 | 160 | 75 | 830 |
| 300-250-600 | | | | | 1200 | 550 | 1045 | 630 | 350 | 350 | | | | | | | | | 4xφ34 | | | 1215 |
| 350-250-550* | 350 | 250 | 1170 | 680 | 1250 | 600 | 1070 | 620 | 275 | 355 | 580 | 500 | 340 | 340 | 300 | 300 | 100 | 32 | 4xφ32 | 140 | 75 | 880 |
| 350-300-350 | 350 | 300 | 1119 | 655 | 1050 | 500 | 990 | 630 | 300 | 300 | 480 | 400 | 400 | 400 | 350 | 350 | 100 | 32 | 4xφ32 | 140 | 65 | 630 |
| 400-300-450 | | | | | 1245 | 730 | 1200 | 550 | 1035 | 670 | | | 400 | 400 | 350 | 350 | | | 4xφ34 | 160 | 75 | 905 |
| 400-300-550 | 400 | 300 | 1395 | 810 | 1350 | 650 | 1140 | 710 | 350 | 350 | 600 | 520 | 400 | 400 | 350 | 350 | 100 | 32 | 4xφ34 | 180 | 85 | 1425 |
| 400-300-700 | | | | | 1400 | 650 | 1230 | 750 | 400 | 400 | | | 525 | 525 | 475 | 475 | | | 4xφ34 | 180 | 85 | 1690 |
| 400-350-400 | | | | | 1245 | 730 | 1200 | 550 | 1080 | 670 | | | 400 | 400 | 350 | 350 | | | 4xφ34 | 160 | 75 | 865 |
| 400-350-450 | 400 | 350 | | | 1400 | | 1215 | | | | | | | | | | 100 | 32 | 4xφ34 | | | 1285 |
| 400-350-520 | | | | | 1395 | 810 | 1350 | 650 | 1170 | 750 | 400 | 400 | 525 | 525 | 475 | 475 | 100 | 32 | 4xφ34 | 180 | 85 | 1395 |
| 450-350-450 | 450 | | | | 1400 | | 1215 | | | | | | | | | | | | 4xφ34 | | | 2440 |



Monash Pumps Australia Pty Ltd

P.O.Box 2018
Seaford Business Centre
VIV 3198 Australia

Registered Address
30, Eillingworth Parade
Box Hill, Victoria 3128
Australia

 monashpumps@gmail.com

 www.monashpumpsasia.com