



MONASH PUMPS (ASIA)

MPSE SERIES

Submersible Ejector Pumps



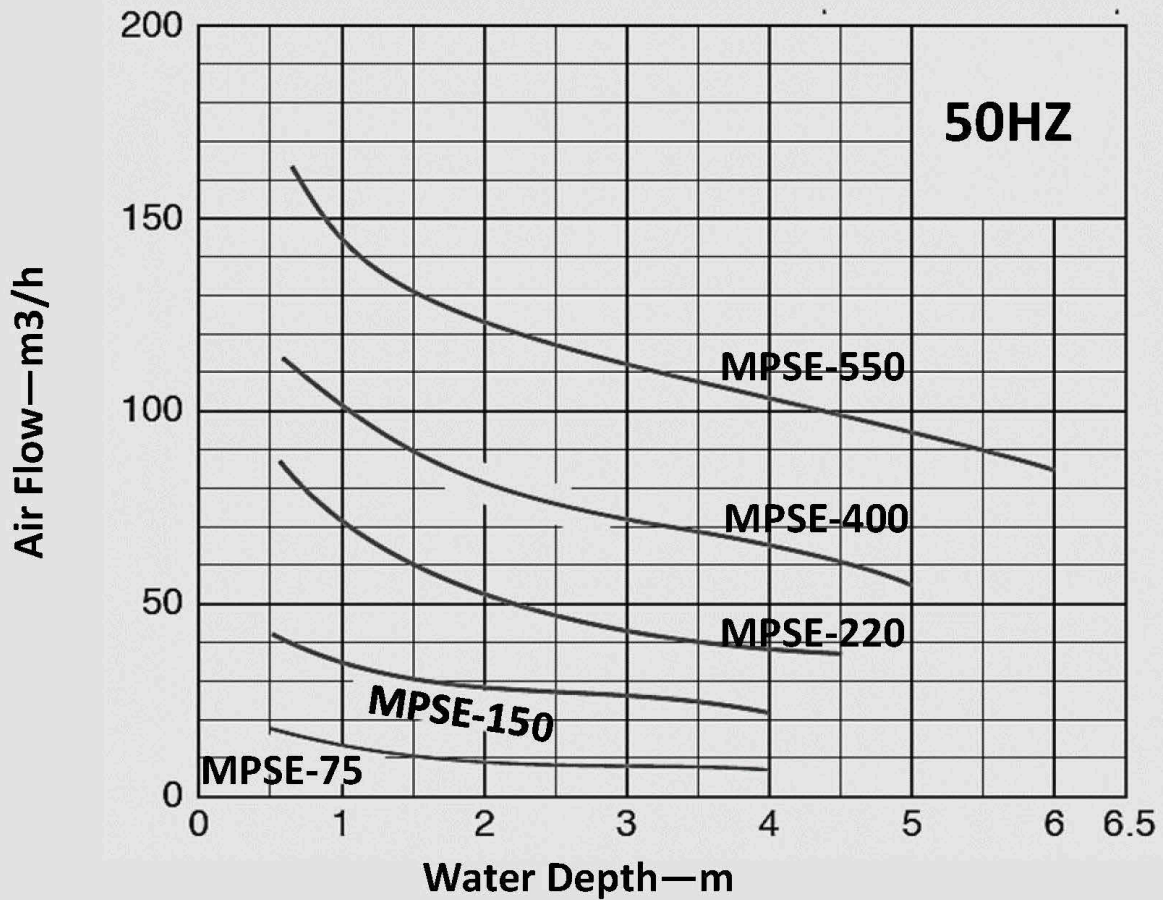
MPSB

Deepwater Automatic Inhale
Submerged Jet Aerator



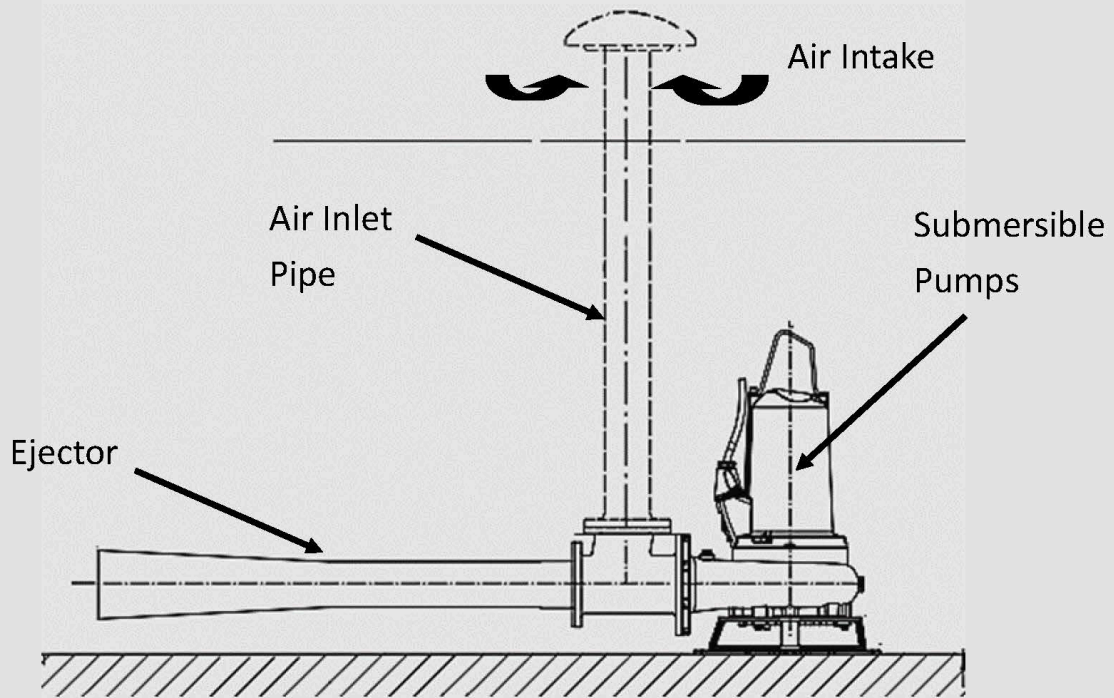


PERFORMANCE

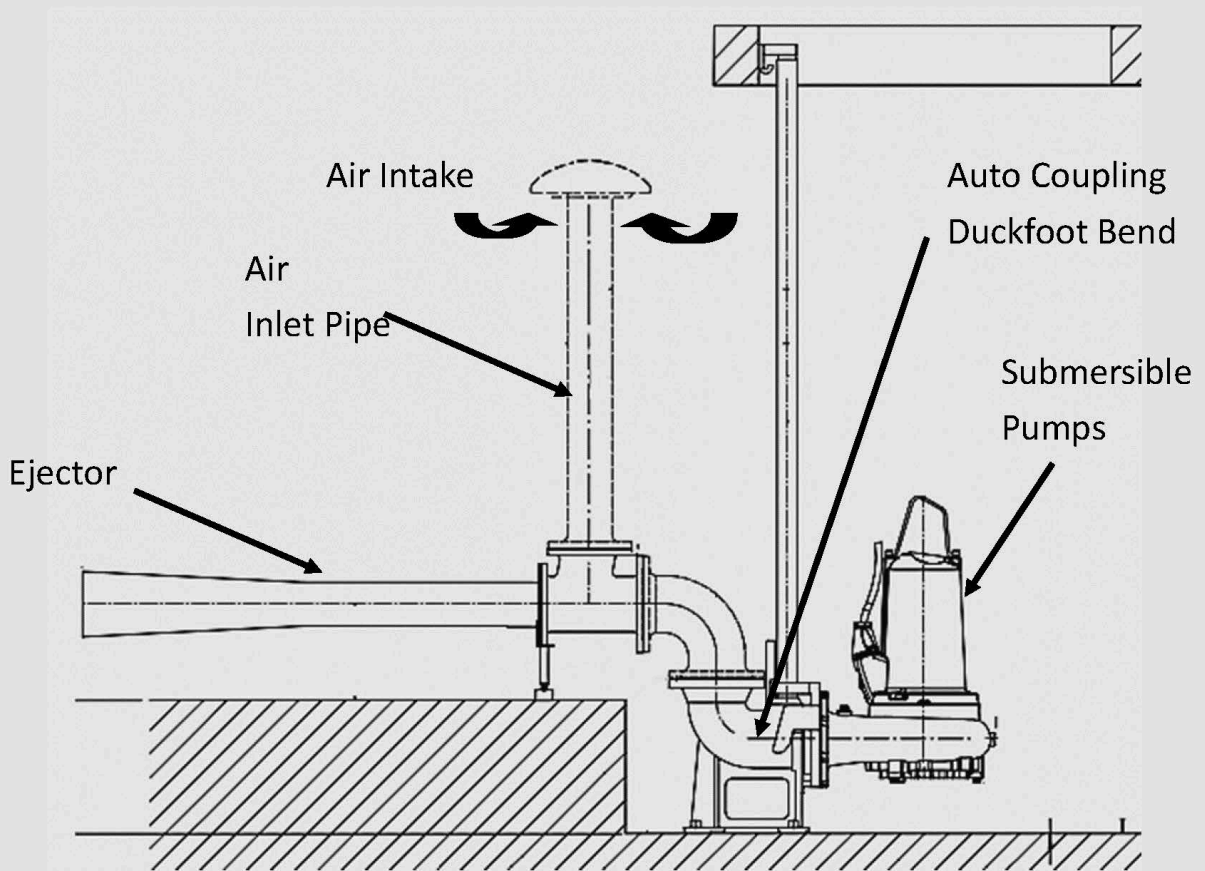


Model	MPSE-75	MPSE-150	MPSE-220	MPSE-400	MPSE-550
Supply	380V/3PH/50HZ				
kW	0.75	1.5	2.2	4	5.5
Pole / Speed (RPM)	2 / 3000	4 / 1500			
Insulation	F				
Starting Method	DOL				
Motor Protector	PTC				
Motor Casing	Cast Iron				
Shaft	SS420				
Impeller	Cast Iron				
Suction Plate	Cast Iron				
Ejector	Stainless Steel SS304				
Air Inlet Size	1"	1.5"	2"		
Max Solid Passage	20	30			
Cable	6m				
Max Water Depth	4	4	4.5	5	6

Typical Installation



Free Standing Installation



Auto Coupling Duckfoot Installation

DESCRIPTION

The new deepwater automatic inhale submerged jet has well-knit structure, operation maintenance simple and convenient installation, while keeping low cost features.

Performance has been significantly improved, without compressing air conditions, submerged depth can reach 10m. The atmospheric bubble is more detailed, and enhances air and aerates media contact area, effectively improving the oxygen transfer rates.

Supporting non-plug submerged pumps is used in the Sanxia submerged wastewater pumps sealed technology, thereby raising the submerged the reliability of jet aerator.



STRUCTURE AND WORKING PRINCIPLE

The deepwater automatic inhale submerged jet aerator is mainly composed of type CP submerged wastewater pumps, confucius pipes, proliferation pipes, into trachea, silencers and so on.

Working principles: submerged pumps produce a high-speed water through nozzles. The nozzles form negative pressure to inhale air into the trachea. A liquid gas mixture flows out to high-speed jet, The water with atmospheric bubble flow in the larger area and mix round in depth waters, complete aerating.

RANGE OF USE

1. Deep water aerating
2. Biochemical ditch aerating and mixing
3. Sludge aerating and mixing
4. High-concentrations of organic waste-water treatment processes

FEATURES

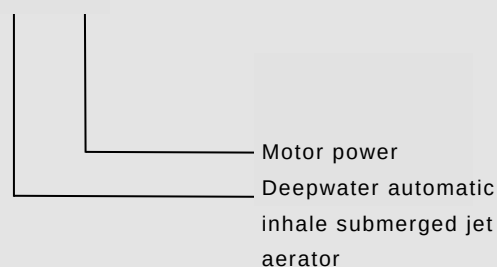
The product makes waters mixing and aerating. Atmospheric bubble detailed, it can't only obtain higher oxygen transfer rates, but also has the impeller without plug advantage. The liquid flow is strong one-way, and resulting in an effective convection cycle. Then the motor with the water level changes very little, therefore more suited to water level changed in the large akin applications.

RANGE OF SERVICE CONDITION

1. The temperature not exceeding 40°C
2. The PH value 5-9 in the medium
3. medium density not exceeding 1150kg/m³

MODEL DESCRIPTION

MPSB - XX

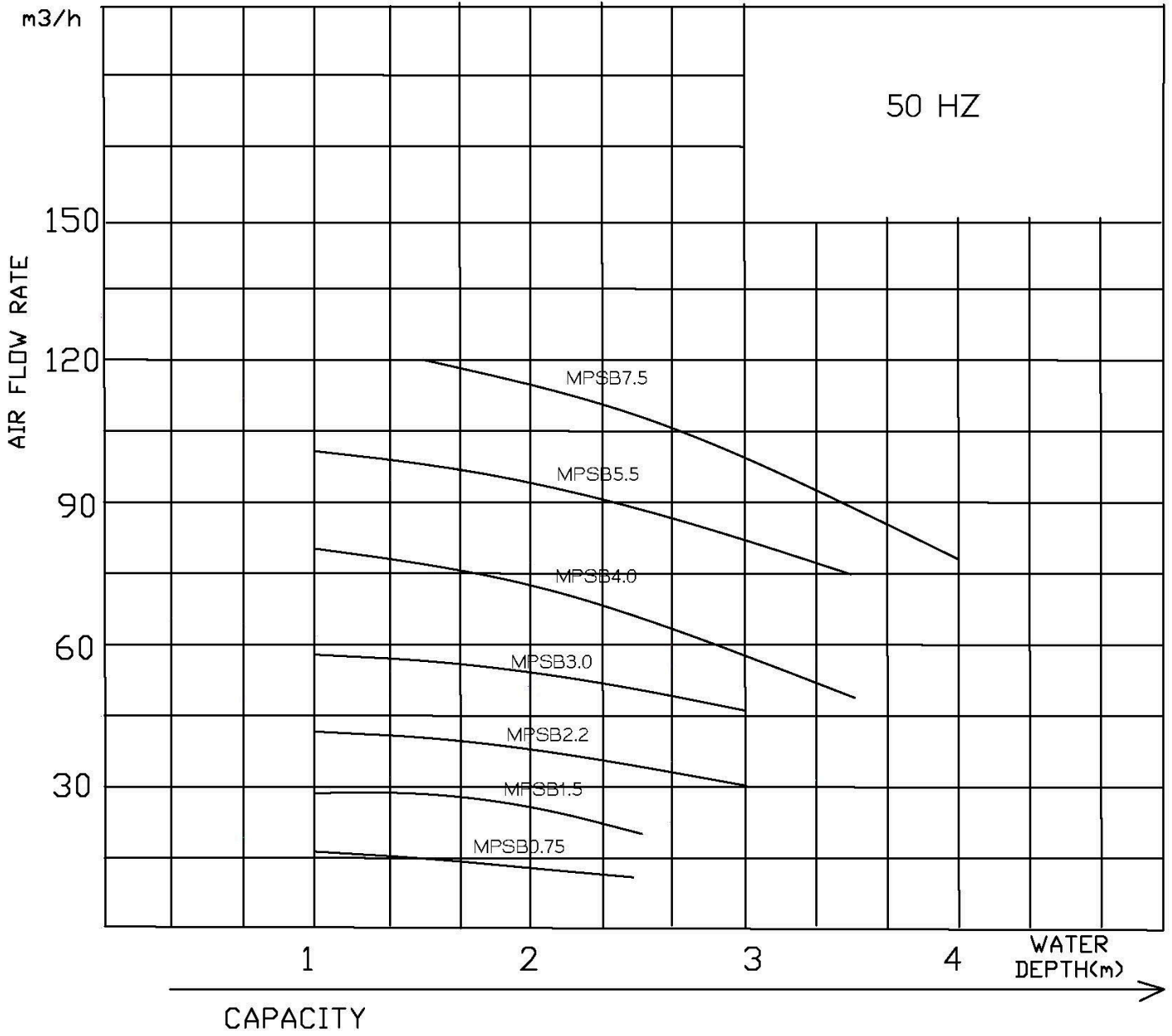


PERFORMANCE DATA SHEET

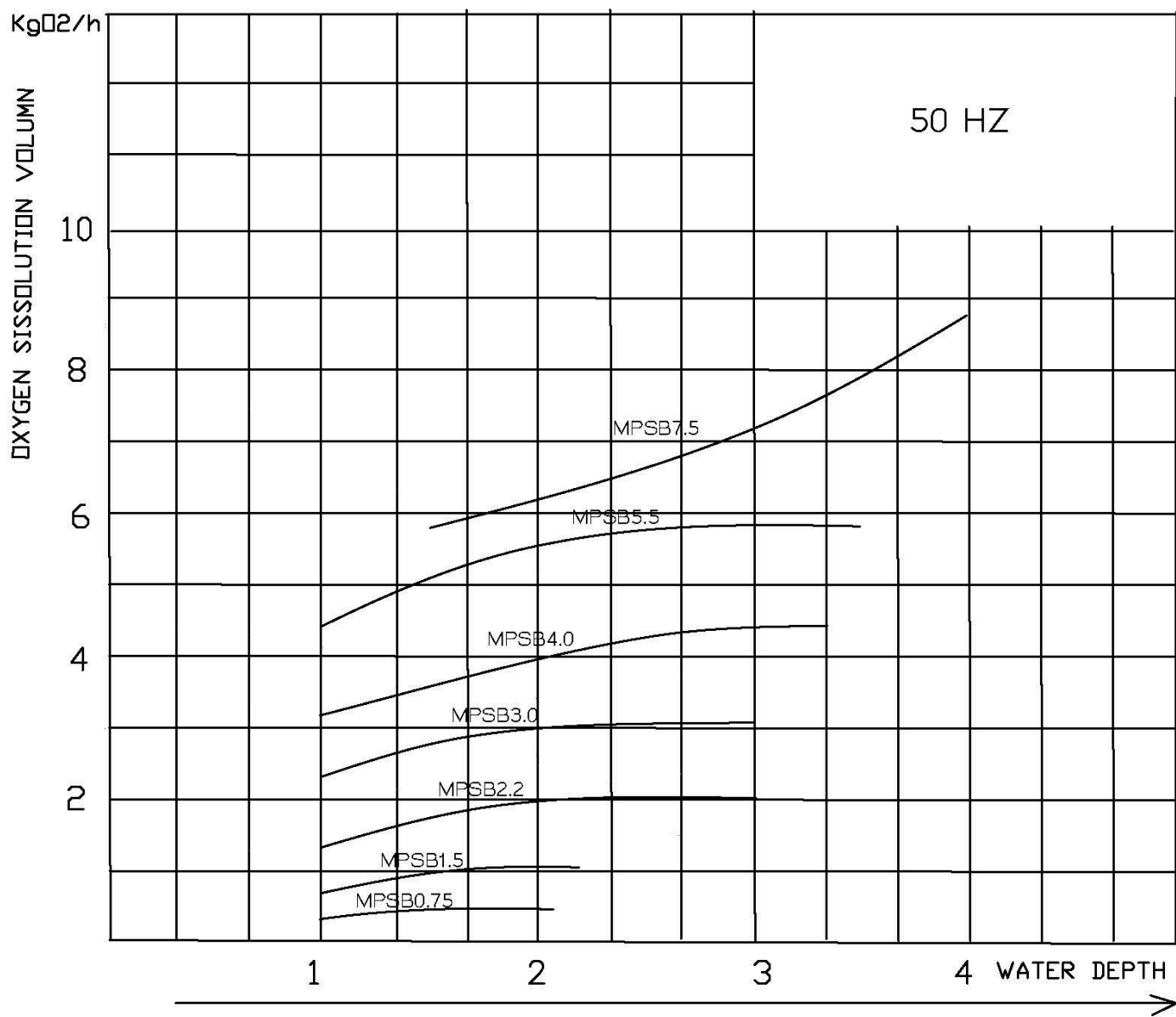
Type	MPSB0.75	MPSB1.5	MPSB2.2	MPSB3	MPSB4	MPSB5.5	MPSB7.5
Power(kw)	0.75	1.5	2.2	3	4	5.5	7.5
Current(A)	2.3	3.7	5.6	6.8	8.8	11.3	15
Voltage(V)	380/400/415						
Speed(rpm)	2900/3500						
Frequency(Hz)	50/60						
Safety Class	F						
Depth Of Submergence (m)	2	2.5	3	3	3	4	4
Air inflow (m ³ /h)	10	22	35	50	75	85	100



PERFORMANCE



PERFORMANCE







Monash Pumps Australia Pty Ltd

P.O.Box 2018
Seaford Business Centre
VIV 3198 Australia

Registered Address
30, Eillingworth Parade
Box Hill, Victoria 3128
Australia

 monashpumps@gmail.com

 www.monashpumpsasia.com