



MONASH PUMPS (ASIA)



MSV

Series vertical multistage centrifugal pump

Applications

- Main water supply system
- Booster Pump Packages system
- Fire Jockey Pumps
- Water Transfer Pump

Motor

- Totally enclosed, Fan-cooled (TEFC)
- Degree of protection : IP55
- Insulation class : F
- Standard voltage : 50Hz:1x220-320/240V
3x200-220/346-380V
3x220-240/380-415V
3x220-255/380-440V
- Electric Motor IE2 Efficiency standard, IE3 & IE4 available as option
- Other voltage of the motor is available on request.
- Single phase motors from 0.37W-2.2KW are available on request.

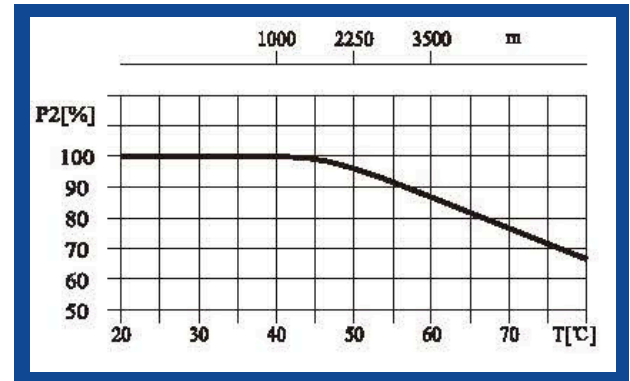
Single performance curve

- All measure value of curves are based on the motor in a constant speed of 2900 RPM and 2950 RPM.
- Curve tolerance meets ISO9906,appendix A.
- Test with 20 °C pure water (no contain water), kinematic viscosity 1mm²/s.
- Pump using referring to the performance range of thick lines,to prevent the motor from too small flow to produce overheat too big flow to produce overload.



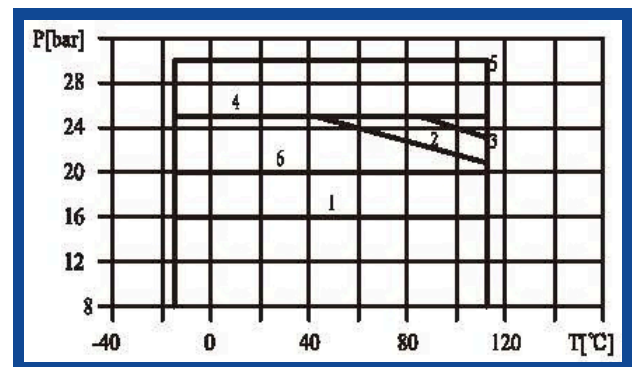
Altitude and Ambient temperature

- When pump works in the condition ambient temperature >40°C or altitude >1000m, the output of motor P2 will be lower, the power of motor should be bigger.



Max. Working pressure

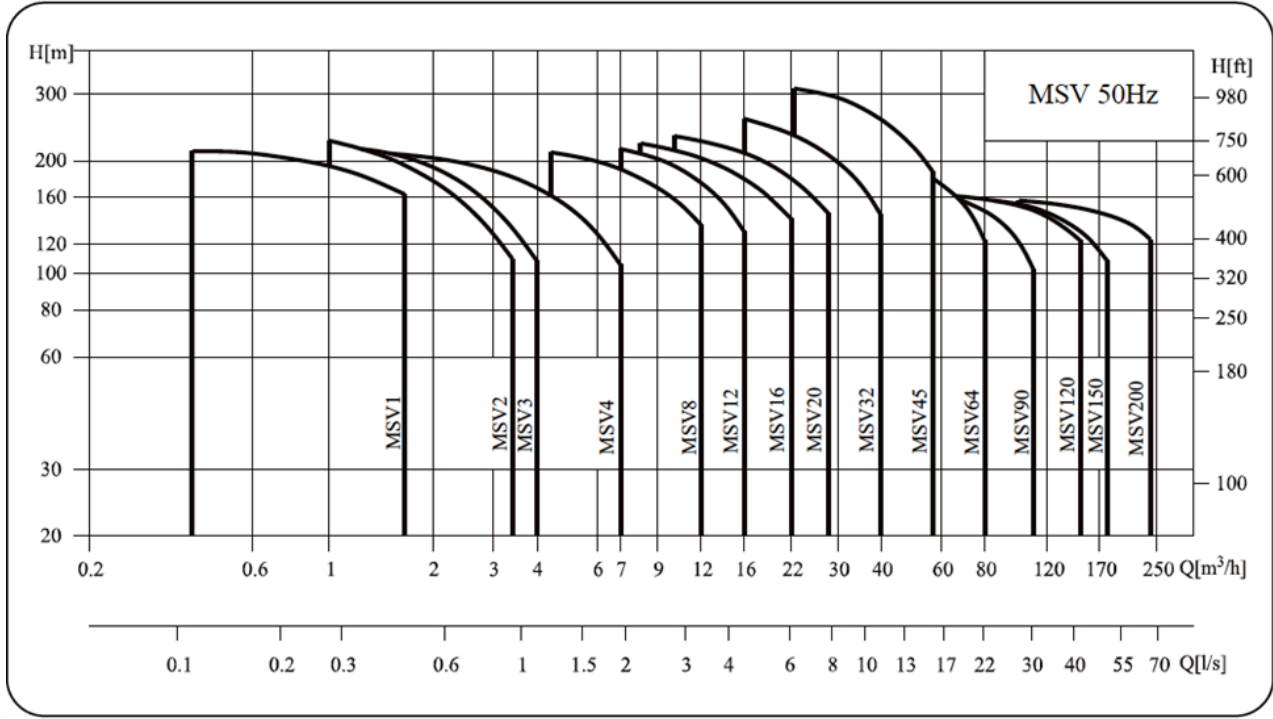
- Below picture showing the limit of pressure and temperature, Pressure and temperature shall be in the range of showing.



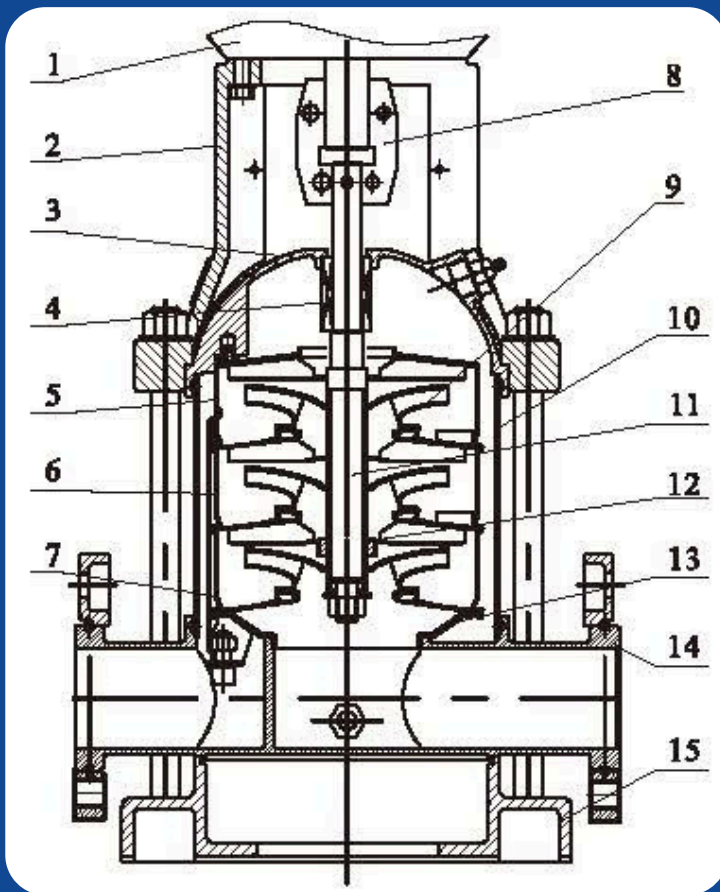
Working Condition

- Thin, clean, non-flammable and explosive and not containing solid particles or fibers liquid.
- Liquid Temperature :
 - room temperature 15 °C, +70°C
 - Hot Water : -15°C--+105°C
- Environment Temperature: max. 40°C
- Altitude: Max.1000m

Performance Range



Structure chart : Material




No	Description	Material	AISI/ASTM
1	Motor	Assembling unit	
2	Support	Cast iron/ Ductile iron	ASTM25B ASTM70-50-05
4	Mechanical seal	Assembling unit	
3	Seal seat	Stainless Steel	AISI304
5	Outlet guide vane	Stainless Steel	AISI304
6	Guide vane	Stainless Steel	AISI304
7	Support guide vane	Stainless Steel	AISI304
8	Coupling	Ductile iron	ASTM70-50-05
9	Impeller	Stainless Steel	AISI304
10	Shell	Stainless Steel	AISI304
11	Pump Shaft	Stainless Steel	AISI304 AISI316L AISI431
12	Bearing	Tungsten Carbide	
13	Inlet guide vane	Stainless Steel	AISI304
14	Inlet & outlet seat	Stainless Steel	AISI304
15	Seat	Cast iron	ASTM25B



Monash Pumps Australia Pty Ltd

P.O.Box 2018
Seaford Business Centre
VIV 3198 Australia

Registered Address
30, Eillingworth Parade
Box Hill, Victoria 3128
Australia

 monashpumps@gmail.com

 www.monashpumpsasia.com